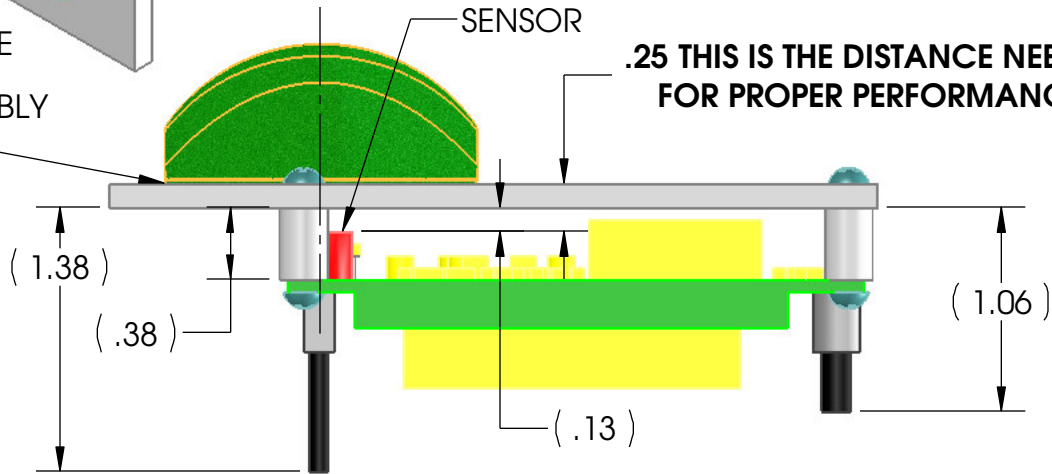


IF THE LENS ASSEMBLY SITS ON THE RIBS OF THE CASE, GRIND THEM DOWN SO THAT THE LENS ASSEMBLY SITS FLUSH ON THE CASE

.25 THIS IS THE DISTANCE NEEDED FOR PROPER PERFORMANCE.



DRILL A ϕ 1.00 HOLE, CENTERED OVER SENSOR

