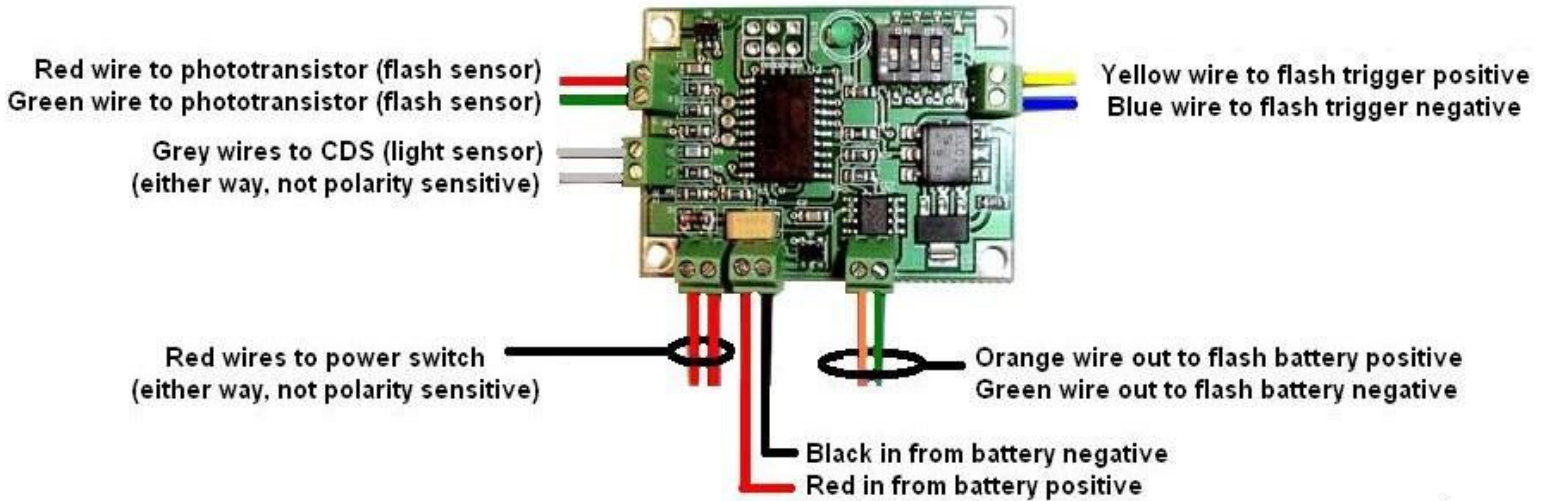


# Slavemaster Wire Connections



Be sure to discharge the flash capacitor before connections are made. The flash capacitor can have over 300 volts, and could cause you harm, as well as destroy the Slavemaster. Please install the 0.47-ohm resistor between the Slavemaster orange wire out and the flash battery positive in. This is to protect the flash from potentially heavy inrush current, which could damage or destroy the flash components. If you plan to use an SLA battery, consider using a 1-ohm resistor instead, or two of the 0.47 in series.